

# Tubone V

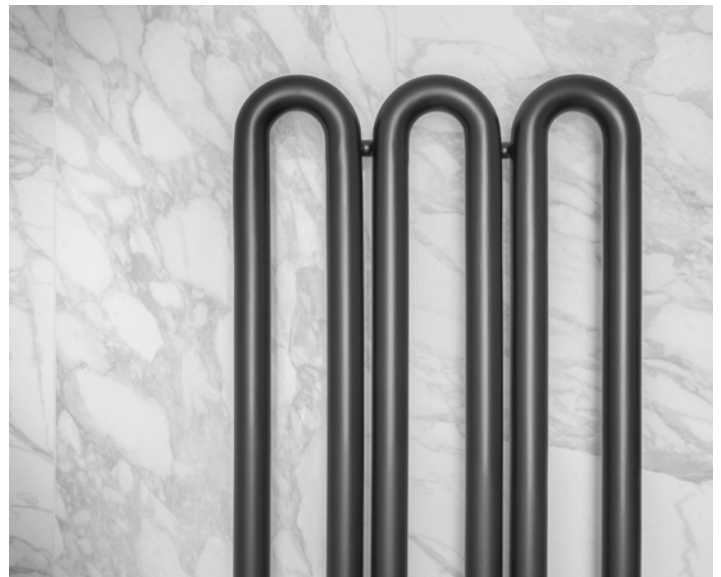
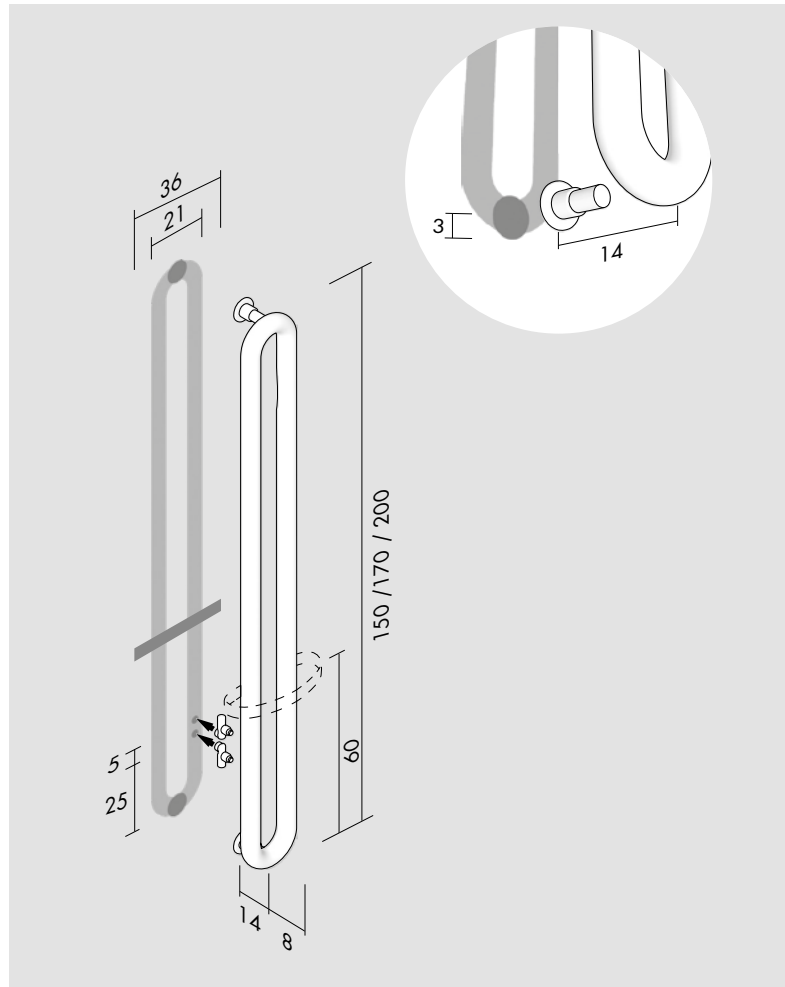
DESIGN ANDREA CROSETTA

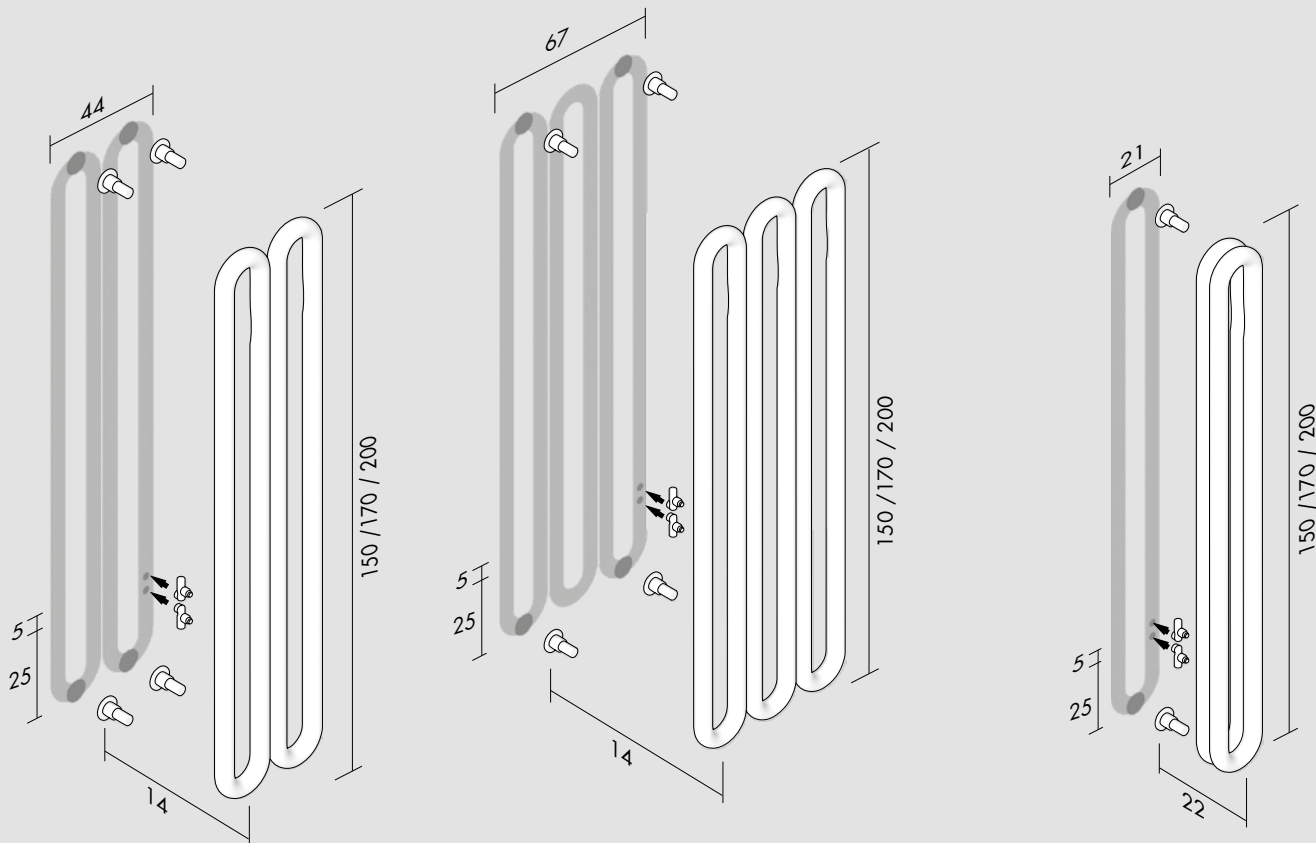


Kcal = Watt x 0.860  
 BTU = Watt x 3.413

Watt  $\Delta t$  60° = Watt  $\Delta t$  50° x 1.251  
 Watt  $\Delta t$  40° = Watt  $\Delta t$  50° x 0.760  
 Watt  $\Delta t$  30° = Watt  $\Delta t$  50° x 0.534  
 Watt  $\Delta t$  20° = Watt  $\Delta t$  50° x 0.325

p max = 6.5 bar





**Tubone V**

H cm	L cm	I* cm	art*	Lt*	watt $\Delta t$ 30°	watt $\Delta t$ 50°
150.0	21.0	5.0	<b>TNVS150001_</b>	7.0	173	<b>324</b>
150.0	44.0	5.0	<b>TNVS150002_</b>	14.0	346	<b>648</b>
150.0	67.0	5.0	<b>TNVS150003_</b>	21.0	519	<b>972</b>
170.0	21.0	5.0	<b>TNVS170001_</b>	7.9	196	<b>367</b>
170.0	44.0	5.0	<b>TNVS170002_</b>	15.9	392	<b>734</b>
170.0	67.0	5.0	<b>TNVS170003_</b>	23.8	588	<b>1 101</b>
200.0	21.0	5.0	<b>TNVS200001_</b>	9.3	231	<b>432</b>
200.0	44.0	5.0	<b>TNVS200002_</b>	18.7	461	<b>864</b>
200.0	67.0	5.0	<b>TNVS200003_</b>	28.0	692	<b>1 296</b>

**Vertical overlapped / Verticale superposé /  
Übereinander stehen / Vertical sobrepuesto**

H cm	L cm	I* cm	art*	Lt*	watt $\Delta t$ 30°	watt $\Delta t$ 50°
150.0	21.0	5.0	<b>TNVD150001_</b>	14.0	262	<b>491</b>
170.0	21.0	5.0	<b>TNVD170001_</b>	15.9	302	<b>565</b>
200.0	21.0	5.0	<b>TNVD200001_</b>	18.7	350	<b>655</b>

**Standard**



(P\* = 203)  
"S" Valve  
Vanne "S"  
"S" Ventil  
Válvula "S"

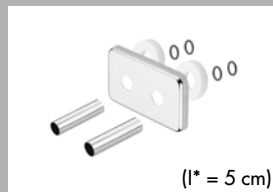
[BIAN] **X385B**  
[CROM] **X385R**

**Optional**



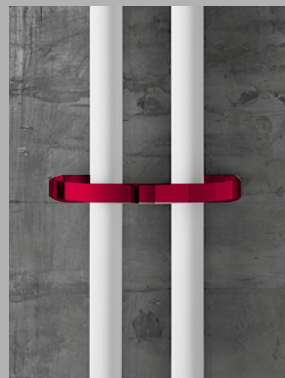
Thermostatic head  
Tête thermostatique  
Thermostatkopf  
Cabezal termostático

[BIAN] **VTTB**  
[CROM] **VTTR**



Sleeving kit  
Kit couvre tuyau  
Rosetten  
Kit cubre tubo

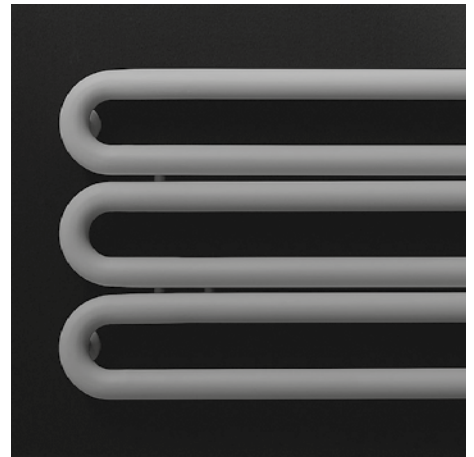
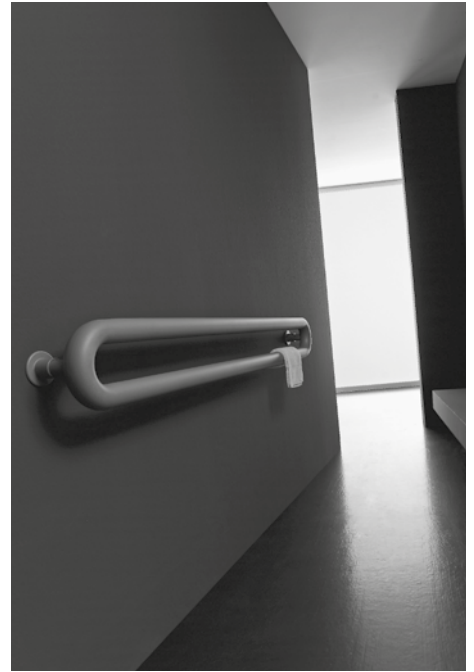
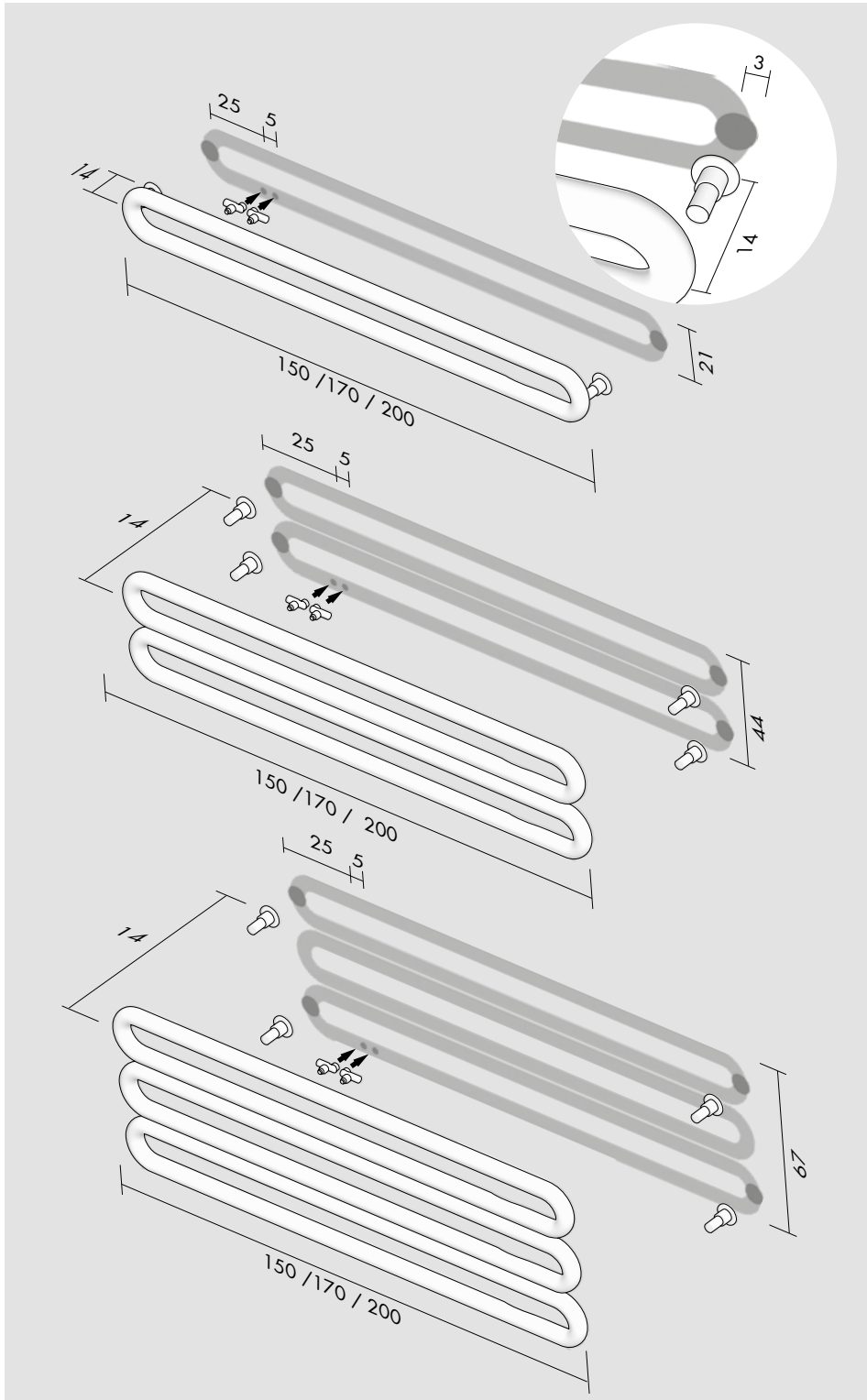
[BIAN] **C5B**  
[CROM] **C5R**



Towel bar  
Porte-serviettes  
Handtuchhalter  
Porta toallas

[CROM] **STBR**  
[COLOUR] **STBC**  
[GOLD] **STBG**

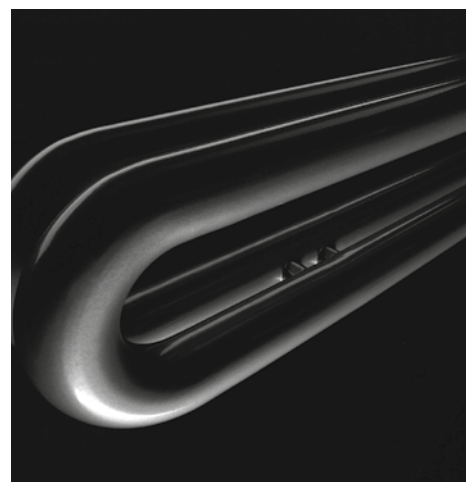
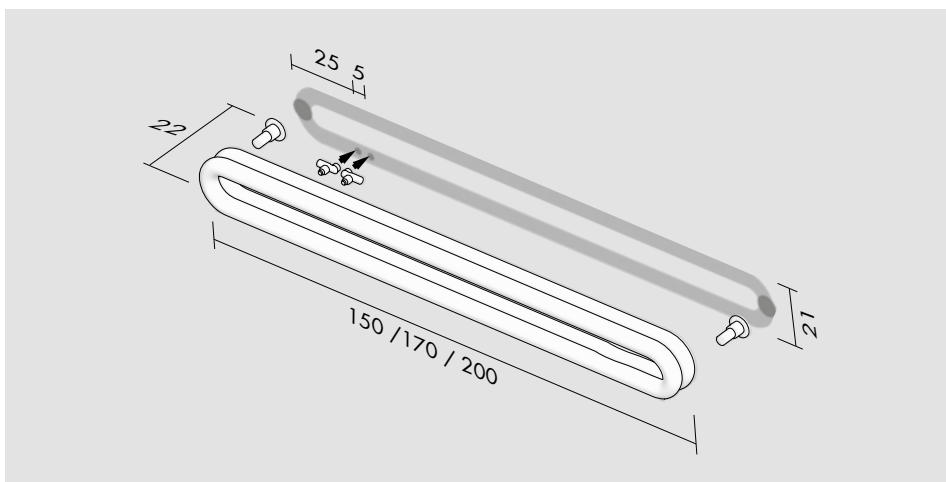
art\* = item / modèle / Artikel / artículo    I\* = pipe centres / distance entre depart et retour / Achsabstand / distancia entre las conexiones  
Lt\* = water content for each element / volume d'eau pour chaque element / Wassergehalt für Element / contenido de agua por cada elemento  
P\* = page / page / Seite / página



Kcal = Watt x 0.860  
 BTU = Watt x 3.413

Watt  $\Delta t$  60° = Watt  $\Delta t$  50° x 1.251  
 Watt  $\Delta t$  40° = Watt  $\Delta t$  50° x 0.760  
 Watt  $\Delta t$  30° = Watt  $\Delta t$  50° x 0.534  
 Watt  $\Delta t$  20° = Watt  $\Delta t$  50° x 0.325

p max = 6.5 bar

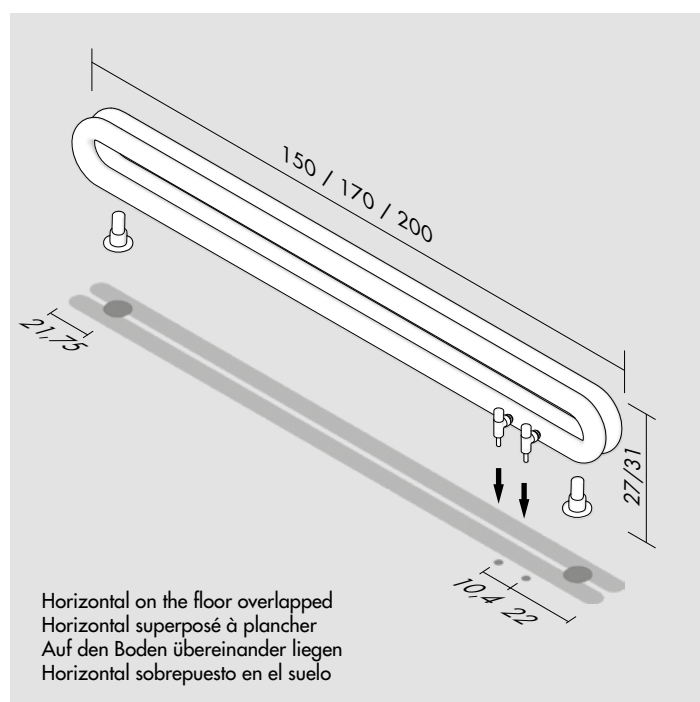


## Tubone O

H cm	L cm	l* cm	art*	Lt*	watt $\Delta t$ 30°	watt $\Delta t$ 50°
21.0	150.0	5.0	<b>TNOS150001_</b>	7.0	194	<b>364</b>
44.0	150.0	5.0	<b>TNOS150002_</b>	14.0	389	<b>728</b>
67.0	150.0	5.0	<b>TNOS150003_</b>	21.0	583	<b>1 092</b>
21.0	170.0	5.0	<b>TNOS170001_</b>	7.9	220	<b>412</b>
44.0	170.0	5.0	<b>TNOS170002_</b>	15.9	441	<b>825</b>
67.0	170.0	5.0	<b>TNOS170003_</b>	23.8	661	<b>1 237</b>
21.0	200.0	5.0	<b>TNOS200001_</b>	9.3	259	<b>485</b>
44.0	200.0	5.0	<b>TNOS200002_</b>	18.7	519	<b>971</b>
67.0	200.0	5.0	<b>TNOS200003_</b>	28.0	778	<b>1 456</b>

## Horizontal overlapped / Horizontal superposé / Übereinander liegen / Horizontal sobrepuesto

H cm	L cm	l* cm	art*	Lt*	watt $\Delta t$ 30°	watt $\Delta t$ 50°
21.0	150.0	5.0	<b>TNOD150001_</b>	14.0	290	<b>543</b>
21.0	170.0	5.0	<b>TNOD170001_</b>	15.9	328	<b>615</b>
21.0	200.0	5.0	<b>TNOD200001_</b>	18.7	387	<b>724</b>



## Horizontal on the floor overlapped / Horizontal superposé à plancher / Auf den Boden übereinander liegen / Horizontal sobrepuesto en el suelo

H cm	L cm	l* cm	art*	Lt*	watt $\Delta t$ 30°	watt $\Delta t$ 50°
21.0	150.0	5.0	<b>TNOP150001_</b>	14.0	290	<b>543</b>
21.0	170.0	5.0	<b>TNOP170001_</b>	15.9	328	<b>615</b>
21.0	200.0	5.0	<b>TNOP200001_</b>	18.7	387	<b>724</b>

## Standard



"S" Valve  
 Vanne "S"  
 "S" Ventil  
 Válvula "S"

[BIAN] **X385B**  
 [CROM] **X385R**



Angled Valve  
 Vanne équerre  
 Eckausführung Ventil  
 Válvula a escuadra

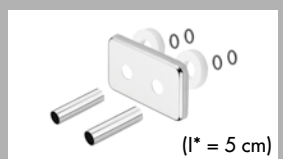
[BIAN] **E12SQB**  
 [CROM] **E12SQR**

## Optional



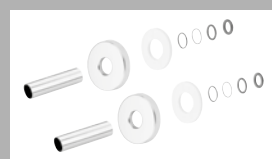
Thermostatic head  
 Tête thermostatique  
 Thermostatkopf  
 Cabezal termostático

[BIAN] **VTTB**  
 [CROM] **VTTR**



Sleeving kit  
 Kit couvre tuyau  
 Rosetten  
 Kit cubre tubo

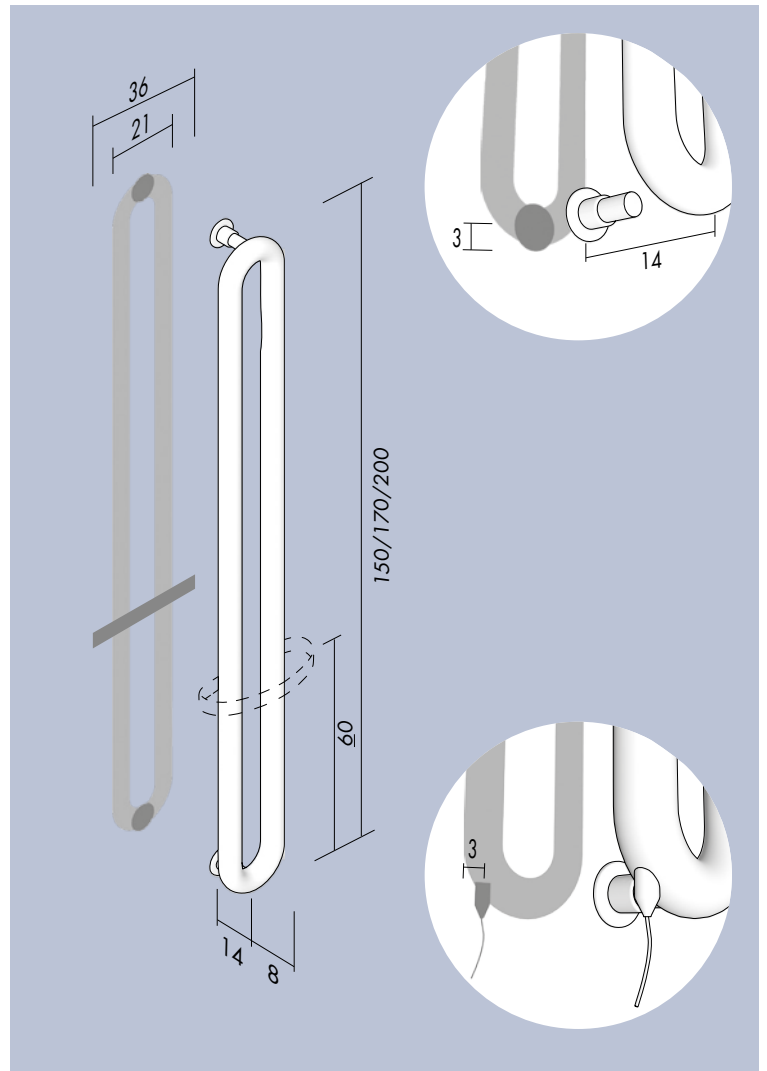
[BIAN] **C5B**  
 [CROM] **C5R**



$\varnothing \leq 16$  mm  
 [BIAN] **CTB**  
 [CROM] **CTR**

$16 \text{ mm} < \varnothing < 24$  mm  
 [BIAN] **CWB**  
 [CROM] **CWR**

**art\*** = item / modèle / Artikel / artículo    **l\*** = pipe centres / distance entre depart et retour / Achsabstand / distancia entre las conexiones  
**Lt\*** = water content for each element / volume d'eau pour chaque element / Wassergehalt für Element / contenido de agua por cada elemento  
**P\*** = page / page / Seite / página



H cm	L cm	art*	watt
150.0	21.0	EC TNVS150001_	200
170.0	21.0	EC TNVS170001_	275
200.0	21.0	EC TNVS200001_	300

## Optional



Receiver  
Récepteur  
Empfänger  
Receptor

**R10**



Digital chronothermostat  
Chronothermostat digital  
Der digital Chronothermostat  
Cronotermostato digital

**T10**



Towel bar  
Porte-serviettes  
Handtuchhalter  
Porta toallas

[CROM] **STBR**  
[COLOUR] **STBC**  
[GOLD] **STBG**

art\* = item / modèle / Artikel / artículo